



1006 Executive Blvd. • Chesapeake, VA 23320
Tel 757-548-4842 • 800-366-4341 • FAX 757-547-9597

CERTIFIED
SWaM Small, Women and Minority-Owned
Support Diversity Strengthen the Community
100% Minority Owned and Operated Business
#716028

Schmidt Modular Vacuum Reclaim System

Efficiently and easily transport new and/or used abrasive to any hopper (24" diameter), blast tank, or disposal unit.

The Schmidt® Modular Vacuum Reclaim System is a convenient and portable solution used to move small or large volumes of abrasive for either recycling or removal. The system's drum dust collector easily separates dust and debris from usable "good" abrasive more efficiently than manual sieves and is significantly less fatiguing for operators. Adaptable to any existing stationary or portable blasting operation, the Modular Vacuum Reclaim System improves production and minimizes downtime in your application.

Available as a full system or individual components.

Included in Full System

- Choice of 150/225/350/440/550 CFM eductor 3" ID urethane eductor assembly
- Modular Reclaim Hopper (24" diameter)
- Modular Vacuum System drum dust collector with auto pulse (120V)
 - 50 ft. 3" diameter urethane lied Vacuum hose with hose clamps
- **Optional:** Modular Drum Vacuum System HEPA filter box

NOTES: Please Read & See diagram next page. The Schmidt 6.5 Blasting Vessel and 55 gallon Drum are sold separately

The Schmidt® Modular Vacuum Reclaim System can be used as:

- **Media recover and reclaim when open blasting (not vacuum blasting).**
 - IF you want to recover and reclaim media after blasting has stopped, simply de-pressurized blasting vessel and move airline to eductor intake for recovery and reclaim operation back into vessel.
 - IF you DO NOT want to move airline, must have a compressor that will support both nozzle CFM (#6 approx. 210 CFM) and eductor CFM requirements.
- **Vacuum Blasting (closed circuit)**
 - IF you want to blast and vacuum, will require special "work heads"
 - **HIGHLY** recommend Schmidt BRS (Blast & Recovery System) several models
- **Comes w/ 50' Extra Vacuum Hose required**
- **Vacuum can bind (stop vacuuming)** if stuck directly in media, we also have a carburetor pick-up 3'X36" that prevents binding while vacuuming.



drum dust collector (left) and Reclaim Hopper



CBS Work Head
314.0015



CBS Work Head Kit
314.0020





1006 Executive Blvd. • Chesapeake, VA 23320
Tel 757-548-4842 • 800-366-4341 • FAX 757-547-9597



Schmidt 6.5 Blasting Vessel, 3" Vacuum hoses and attachments sold separately.

SM8408-000-100 (Complete System) Includes:

MODULAR BLAST AND RECOVERY SYSTEM ASSEMBLY (W/HEPA)

SM8407-000-51 MODULAR RECLAIM HOPPER, 24"

SM8407-000-52 MODULAR VACUUM SYSTEM DRUM DUST COLLECTOR W/AUTO PULSE (120V)

Urethane Eductor Pump Assembly, 3"

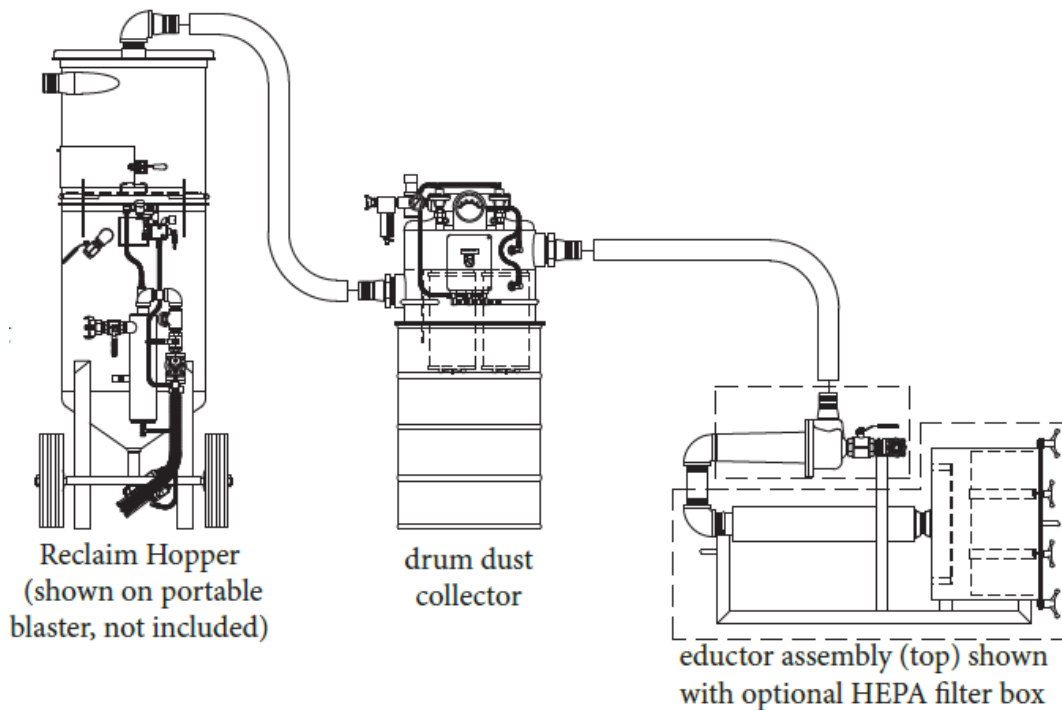
SM2018-011 Eductor without nozzle

SM2018-111-00 with 150 CFM nozzle

SM2018-211-00 with 225 CFM nozzle

SM2018-311-00 with 350 CFM nozzle

SM2018-411-00 with 440 CFM nozzle



ADDITIONAL PARTS:

Schmidt 6.5 Blasting Pot (Package B)

NovaTek CBS (Vacuum Blast) Work Heads.

Vacuum 3" Hose, 50' comes with system, recommend an additional 50'



1006 Executive Blvd. • Chesapeake, VA 23320
Tel 757-548-4842 • 800-366-4341 • FAX 757-547-9597



ITEM PART NUMBER DESCRIPTION

1. Modular Reclaim Hopper
2. Modular Reclaimer Hopper Gasket
3. Modular Reclaimer Hopper Door Gasket
4. Abrasive Screen
5. K.C. Nipple, 3"
6. Vacuum Hose, 3"(specify length)
7. K.C. Nipple, 3"
8. Modular Dust Collector
9. Modular Dust Collector Gasket
10. Dry Filter, Polyester
11. Dry Filter Knob
12. Differential Pressure Gauge
13. Pulse Valve, 3/4"
14. Regulator, 3/4"
15. Pressure Gauge, 0-160 psi
16. Air Filter, 3/4" 40 micron
17. Crowfoot, 3/4" 2-Lug w/Gasket
18. Pulse Control Box
19. Timer Board, 120 Vac
20. Pulse Control Valve, 120 Vac
21. Camlock, 3" Type F
22. Vacuum Hose, 3"(specify length)
23. Camlock, 3" Type A
24. Crowfoot, 2" 4-Lug w/Gasket
25. Ball Valve, 2" Full-Port
26. Eductor, urethane 3"
27. Eductor nozzle, 150 cfm
Eductor nozzle, 225 cfm
Eductor nozzle, 350 cfm
Eductor nozzle, 440 cfm
28. Muffler assembly, 3"
29. HEPA Filter Box
30. HEPA Filter Box Gasket
31. HEPA Filter Box Door Knob
32. Filter Knob
33. HEPA Filter, 24" x 24" x 11-1/2"
34. Twinline Hose Assembly, 55 Ft.

35. Blast Hose (Specify Size and Length)
36. Deadman, G2 Pneumatic
37. Blast Nozzle (Specify Size)
38. Vacuum Hose, 3"
39. BRS Vacuum Workhead, 3" Style II
BRS Vacuum Workhead
Outer Brush, 3"
Vacuum Workhead Sleeve, 2" Lg.
Vacuum Workhead Sleeve, 3" Lg.
Vacuum Workhead Sleeve, 4" Lg.
40. Safety Pin, Air/Blast Hose Coupling
41. Camlock, 3" Type C

**CALL
NORTON SANDBLASTING
EQUIPMENT
TODAY FOR ALL PRICING**

**757 548-4842 OR
Toll Free 800 366-4341**



1006 Executive Blvd. • Chesapeake, VA 23320
 Tel 757-548-4842 • 800-366-4341 • FAX 757-547-9597

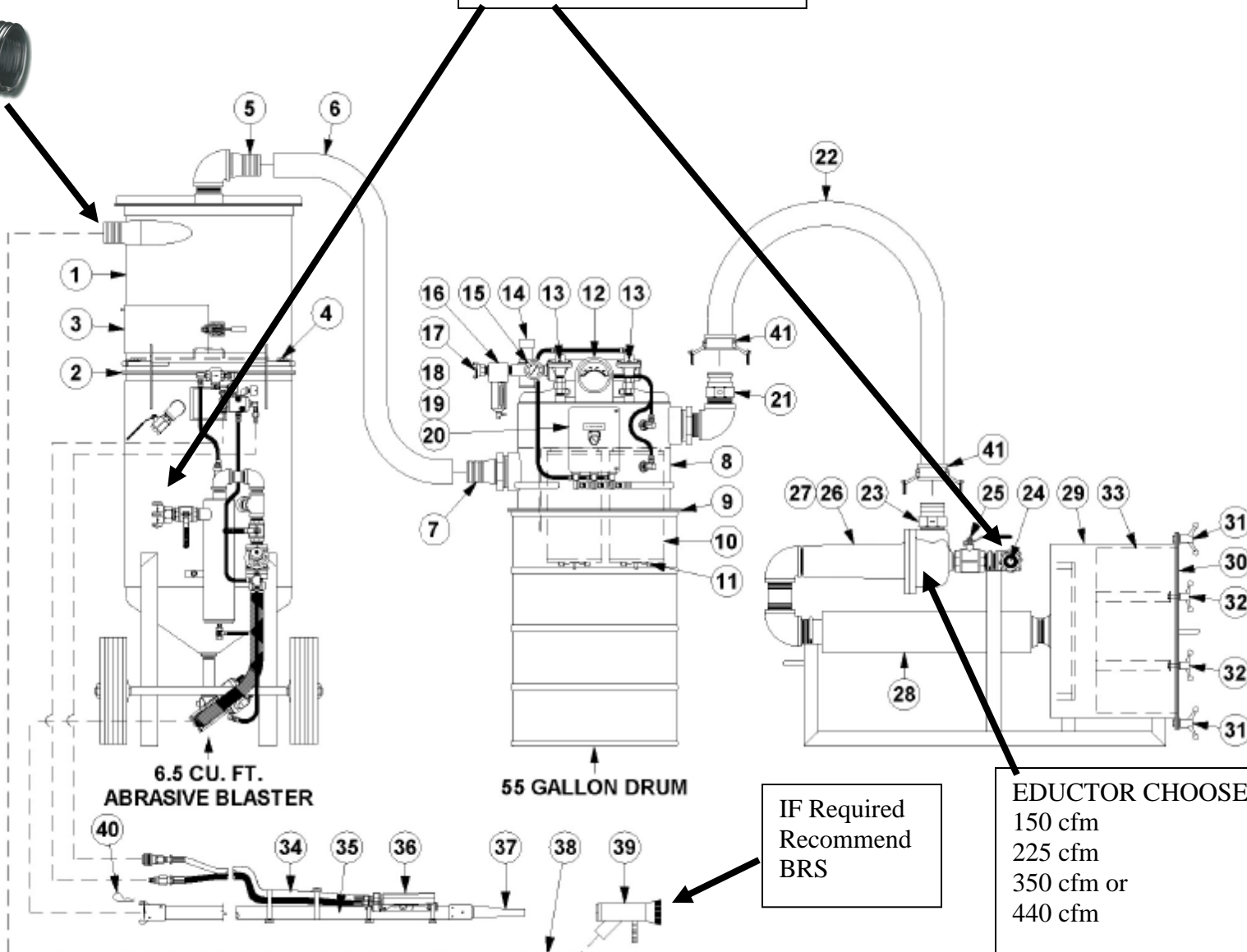


#716028

Vacuum Pick up port



COMPRESSOR AIR INLET



IF Required
 Recommend
 BRS

EDUCTOR CHOOSE:
 150 cfm
 225 cfm
 350 cfm or
 440 cfm