

Clean Fresh Air in The Workshop

Technical Information

FilterCart™ Original

Part No.	Voltage	HP	Arm length
12624245	120V / 60Hz, 1~	1 hp	7ft.
12624345	120V / 60Hz, 1~	1hp	10 ft.

Replacement Filter

Part No. 12374023

344 sq. ft.² flame resistance pleated cellulose material.

Accessories

HEPA filter H13

Part No. 12374016

High efficiency final filter, class H13.

Spark Protection

Part No. 10372650

For mounting in the hood. To prevent risk of fire.

Risk of personal injury, fire or explosion

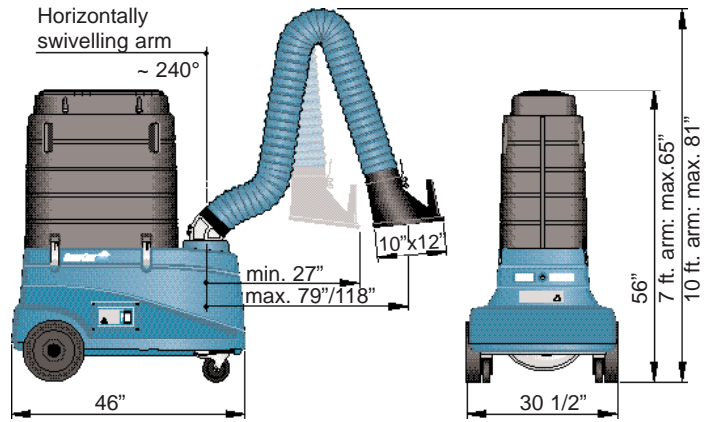


The FilterCart should not be used in an environment with danger of explosion or for dust or gases in explosive concentrations.



The FilterCart should not be used for extracting toxic substances.

Dimensions



Dust-Free Filter Replacement



Release filter cover clips and lift off the filter cover.

Use the plastic bag from the new filter cartridge place it over the old filter. The filter is now ready for disposal.

Install the new filter and replace filter cover.

Environmental Data

	7ft.	10 ft.
Weight (lb)	150	152
Noise level dB(A)*	73	
Recovery level, % of weight, without filter	90 %	

* Measured according to ISO EN 11204.

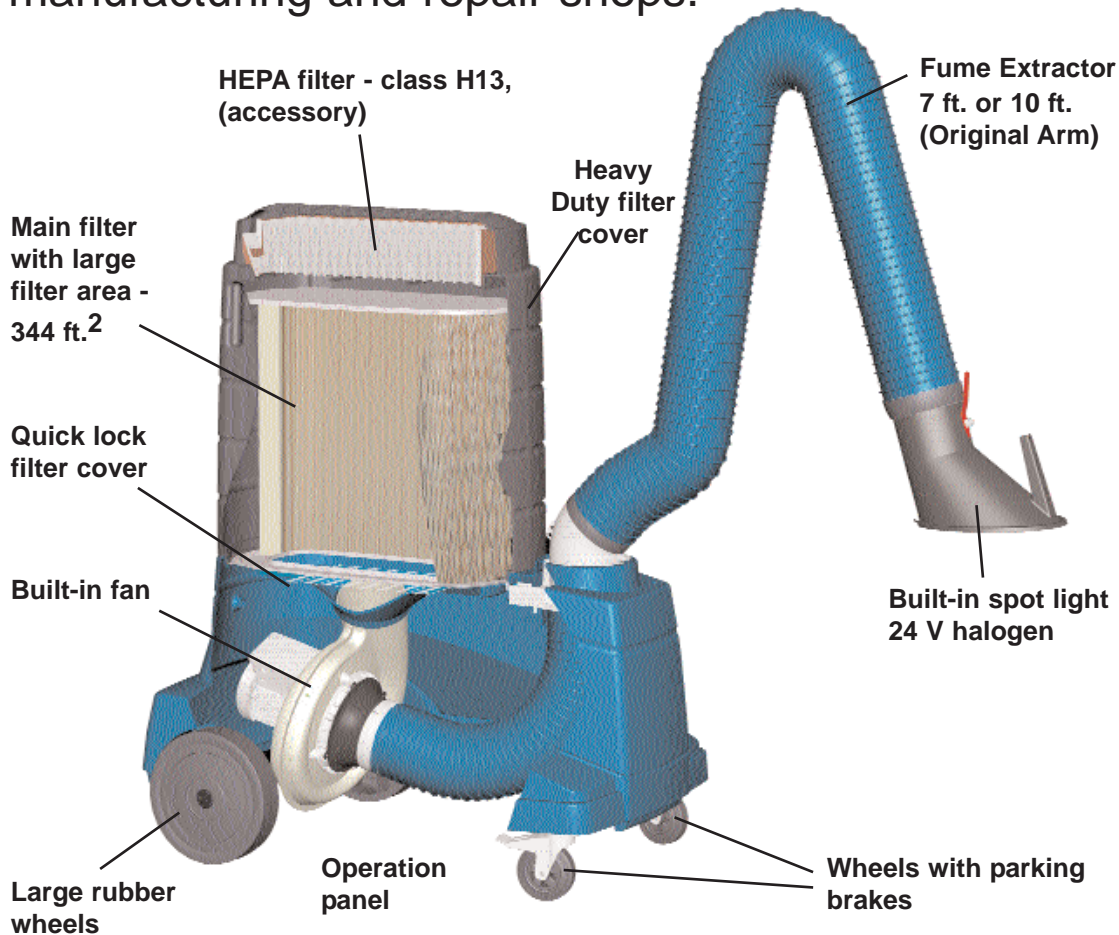
For more information or to order, contact:

Norton Sandblasting Equipment

1006 Executive Blvd.
 Chesapeake, VA 23320
 Telephone: (757) 548-4842 Fax: (757) 547-9597
 Toll Free: (800) 366-4341
 Email: info@nortonsandblasting.com
 www.nortonsandblasting.com

FILTERCART™ ORIGINAL

Mobile and heavy duty filter unit for welding in light manufacturing and repair shops.



Safe working environment and economic benefits built into a heavy duty and user friendly design

Safe Work Environment	Economic Benefits	User-Friendly Design
<ul style="list-style-type: none"> • High filtration efficiency, 99% • Longer filter life • High capture efficiency • Efficient spotlight • Low noise level 	<ul style="list-style-type: none"> • No installation time • Long filter life • Plugs into wall socket (110 volt) • No service requirements 	<ul style="list-style-type: none"> • Ready to use • Greater mobility through narrow spaces • Easy and safe to use • Easy and quick maintenance

Improving your workspace